

DEESYS[®]

Zero Phase Current Transformer



Round Type ZCT / Square Type ZCT



Type-approved product for Korea firefighting inspection construction



* For products approved by Korea Fire Industry and Technology Institute [Rated 200mA/100mV]

DEESYS Round type ZCT

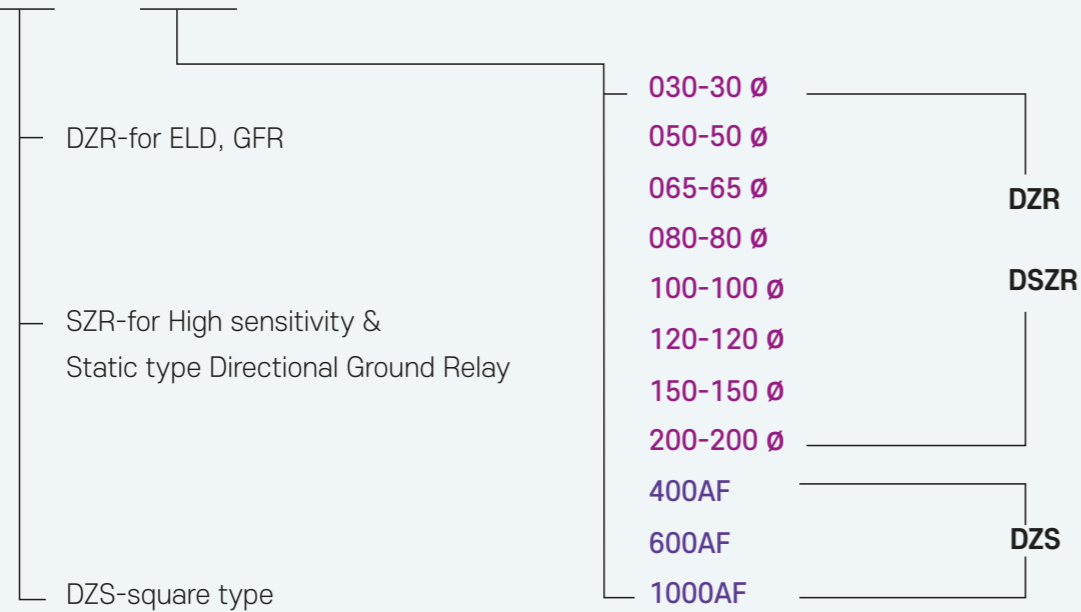
- ◆ High permeability core is used to improve straightness and stability.
- ◆ As a Round Type, it is composed of various models according to the capacity of the load.
- ◆ This is a type-approved product by the Korea Fire Industry and Technology Institute.

Ratngs

Model	Rated Current(A)	Inside Dia(mm)	Through wire(EV)mm			Zero phasecurrent ratio Pri./Sec (75~125mV/at 2kΩ)	Weight(kg)
			1/2W	1/3W, 3/3W	3/4W		
DZR-030/DSZR-030	100	30	60	14	8	DZR / ZR Type	0.2
DZR-050/DSZR-050	250	50	150	80	38		0.3
DZR-065/DSZR-065	400	65	325	150	100		0.4
DZR-080/DSZR-080	600	80	400	250	200		0.8
DZR-100/DSZR-100	800	100	500	325	250	DSZR / SZR Type	1.0
DZR-120/DSZR-120	1000	120	-	850	725		1.2
ZR-150, SZR-150	1400	150		1000	850	30mA/50mV	4
ZR-200, SZR-200	2000	200					7.5

Model selection classification

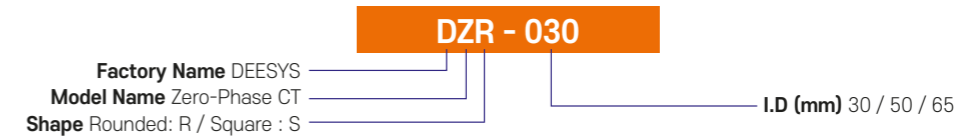
DZR - 030



※ DZR is a new product with improved structure and improved straightness and stability.

※ CAUTION: The above Series ZCT has a voltage type secondary output that can be applied to ELD and Static Type Realy, and cannot be applied to induction relays.

Model classification



Operation overview

Z.C.T Operation Principle



Ig: The difference between incoming and outgoing current is generated by ground fault, earth leakage current, and ground fault current to generate an output in the secondary ZCT, and the output displays an earth leakage circuit and alarms.

* For rated secondary output [200mA/1.5mA]



Ratings

Model	Rated Current(A)	Inside Dia(mm)	Through wire(EV)mm			Zero phasecurrent ratio Pri./Sec	Weight(kg)
			1/2W	1/3W, 3/3W	3/4W		
DZR-A030/DSZR-A030	100	30	60	14	8	200mA/1.5mA	0.2
DZR-A050/DSZR-A050	250	50	150	80	38		0.3
DZR-A065/DSZR-A065	400	65	325	150	100		0.4
DZR-A080/DSZR-A080	600	80	400	250	200		0.8
DZR-A100/DSZR-A100	800	100	500	325	250		1.0
DZR-A120/DSZR-A120	1000	120	-	850	725		1.2

Model Classificaion

DZR - A030

Factory Name DEESYS
 Product Name Zero-Phase CT
 Shape Rounded: R / Square : S

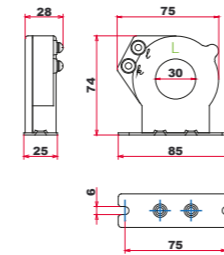
I.D.(mm) 30 / 50 / 65



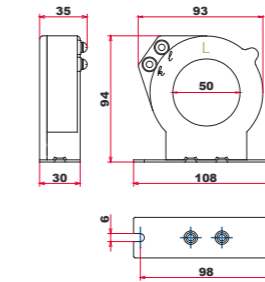
Dimensions

< DZR series >

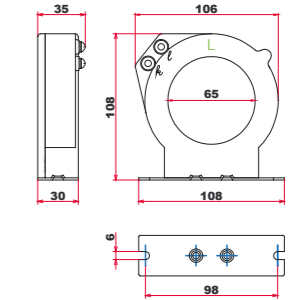
< DZR-030 >



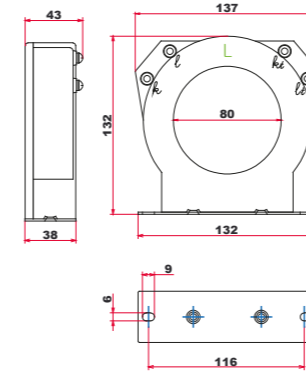
< DZR-050 >



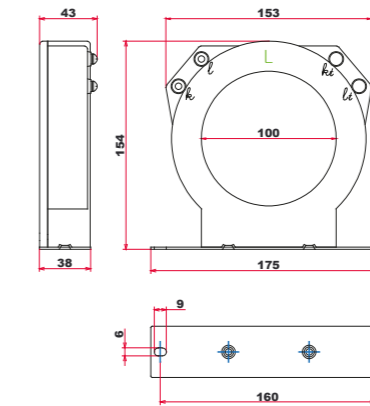
< DZR-065 >



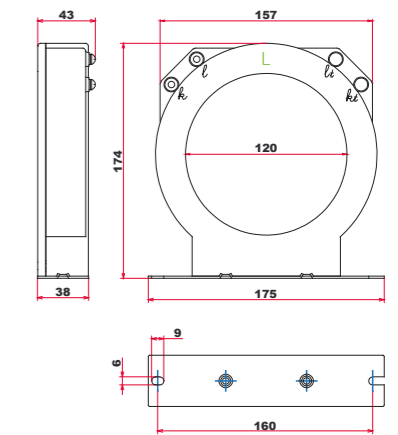
< DZR-080 >



< DZR-100 >

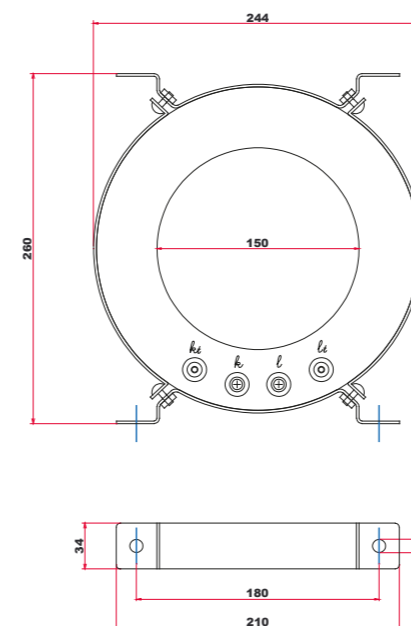


< DZR-120 >

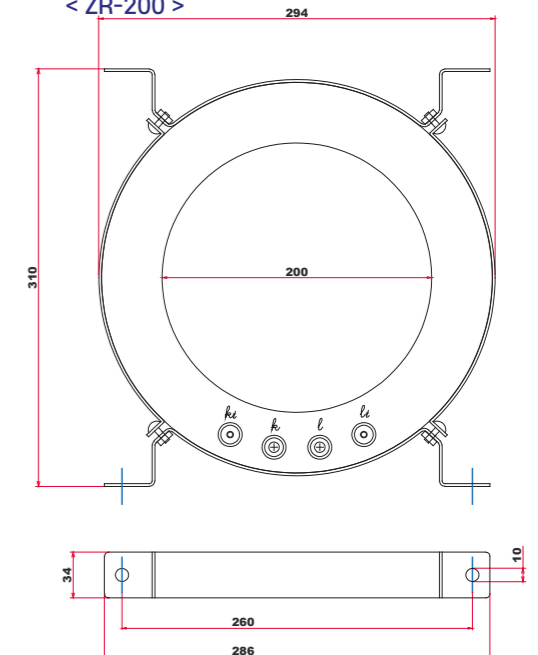


< ZR series >

< ZR-150 >



< ZR-200 >





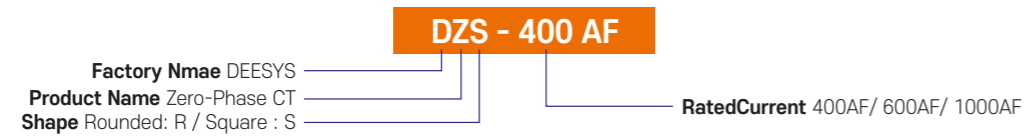
Deesys Square ZCT

- ◆ High permeability core is used and straightness and stability are improved.
- ◆ It is installed in a square type, passing through a bus bar, and consists of 3 models according to the load capacity.
- ◆ It is a type-approved product by the Korea Fire Protection Industry and Technology Institute.

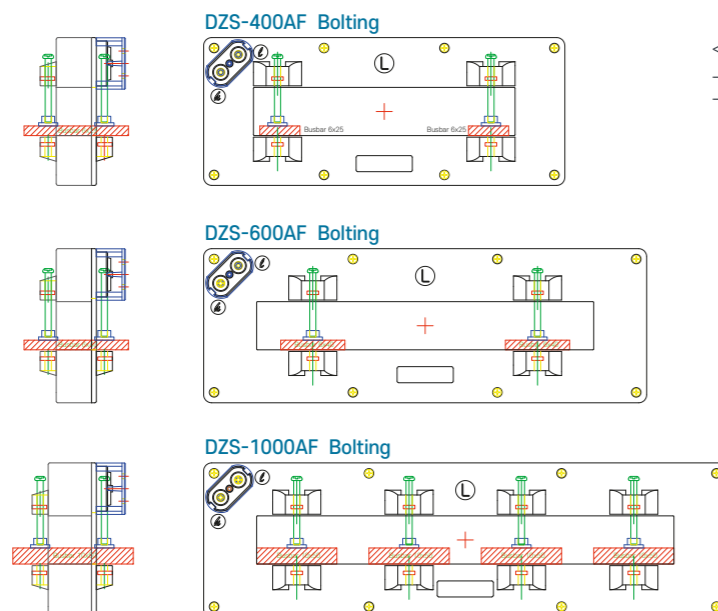
Ratings

Model	Rated Current(A)	Inside Dia(mm)	Through wire(EV)mm			Zero phasecurrent ratio Pri./Sec (75~125mV/at 2kQ)	Weight(kg)
			1/2W	1/3W, 3/3W	3/4W		
Busbar Through Type	DZS-400AF	400	30 x 163	6T x 25			2.8
	DZS-600AF	600	30 x 210	8T x 30			3.5
	DZS-1000AF	1,000	30 x 266	8T x 30			3.8

Model Classification

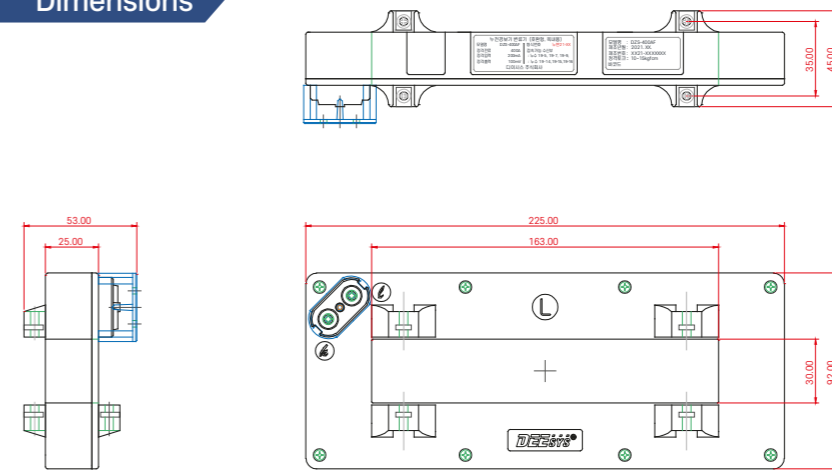


Busbar Mount Bolting Size

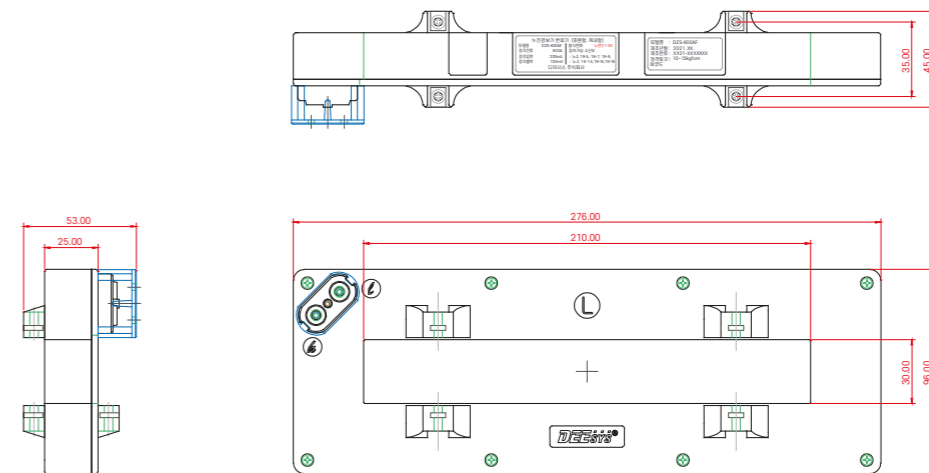


< Bolt & Torque Standard >
 - Bolt : M4.0*40.0mm 4ea
 - Torque : 10~15kgfcm

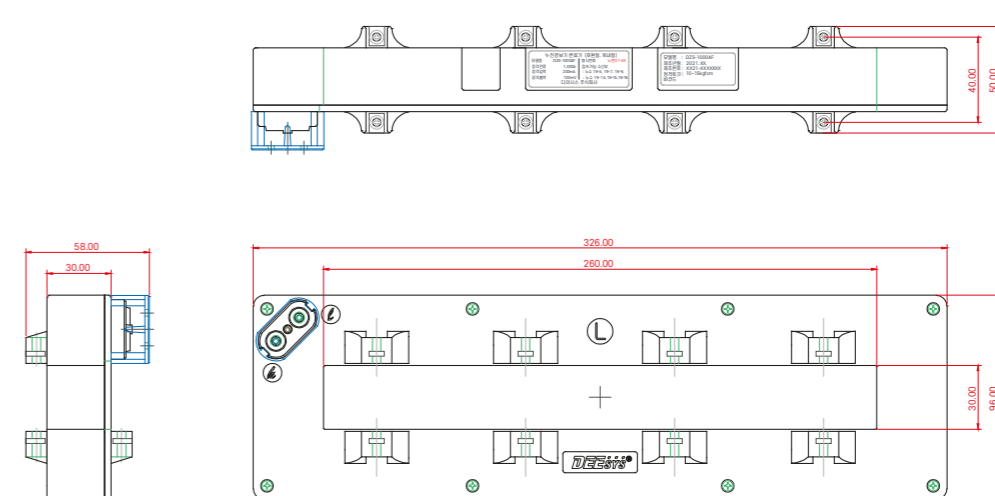
Dimensions



DZS-400AF



DZS-600AF



DZS-1000AF