



Vertical model for general MCC panel

Digital Ground Fault - Digital 11F / 11P / 11H Relay

This digital earth fault relay is a device that detects grounded and ungrounded systems using a zero-phase current transformer. It can precisely measure the value input from the ZCT. Malfunction can be prevented against harmonic components and various noises.

- The ground fault (leakage) status of the electric line is alarmed and displayed for each circuit, and the ground fault current in the event of a ground fault is displayed on the LCD display.
- It stores the ground fault current value at the time of an accident and can be used as data for condition analysis after a fault.
- Built-in communication port enables remote monitoring. (Optional function)
- Provides convenient HMI through Key Interface.

Vertical Type

Specification

MODEL	DGF-D11F	DGF-D11F-C	DGF-D11FA	DGF-D11FA-C	DGF-D11P	DGF-D11P-C	DGF-D11PA	DGF-D11PA-C
Rated Input	ZCT Input AC200mA/100mV		ZCT Input AC200mA/1.5mA		ZCT Input AC200mA/100mV		ZCT Input AC200mA/1.5mA	
Mount	Flush mounted type				Socket type			
Display	LCD Display							
Frequency	60Hz / 50Hz							
Control power	AC/DC 100V ~ 240V							
Consumption	Standby : less than 5W, Run : less than 7W							
Output Contact	1a Contact (AC 250V 10A, DC 30V 10A)							
Comm.		RS-485 ModeBus		RS-485 ModeBus		RS-485 ModeBus		RS-485 ModeBus
FAULT MEMORY	When a fault current occurs, the fault current value is displayed on the LCD. Check the latest fault current value through the fault current check function							
Fault recovery	LCD BACKLIGHT and Output contact [Auto return setting possible]							
Output Contact	Common Cotact	1a Contact						
	Contact capacity	AC 250V, 10A / DC30V, 10A						
Operation Current	Current TAP	LOCK, 0.1 ~ 10.0A [0.1A Step]						
	Metering range	0.01 ~ 12.5A [abnormal current input : 0vC (Over Current) display]						
	Operation range	within 75~100% of each correction value						
Operation time	Op. charateristic	Definite Time						
	Op. Lever	INST ~ 5.00sec [0.1sec Step]						
	Accuracy	INST ~ 0.20sec : within ±40ms / 0.20 ~ 5.00sec : within±10%						
Return	Return current	firmly return at 90% of each correction value						
	Return time	NST - 0.1 - 30.0sec (under 1sec :0.1 Step, over 1sec: 1 Step)						
	Return Method	Auto (Return time applied) / Manual						
H.M.I	KEYPAD	Manu, ▲, ▼, SET, TEST, RESET						
	LCD BACKLIGHT	OFF : RUN Green [GREEN] : Normal / Red [RED] : Alarm						
Applicable Standard	KS C 8328							



Horizontal model for smart distribution board MCC panel

Horizontal Type

Specification

MODEL	DGF-D11H-F	DGF-D11H-F-C	DGF-D11H-FA	DGF-D11H-FA-C	DGF-D11H-P	DGF-D11H-P-C	DGF-D11H-PA	DGF-D11H-PA-C
Rated Input	ZCT Input AC200mA/100mV		ZCT Input AC200mA/1.5mA		ZCT Input AC200mA/100mV		ZCT Input AC200mA/1.5mA	
Mounting	Flush mounted type				Socket type			
Display	LCD Display							
Frequency	60Hz / 50Hz							
Control power	AC/DC 100V ~ 240V							
Power consumption	Stand by : less than 5W, RUN : less than 7W							
Output contact	1a Contact (AC 250V 10A, DC 30V 10A)							
Communication		RS-485 ModeBus		RS-485 ModeBus		RS-485 ModeBus		RS-485 ModeBus

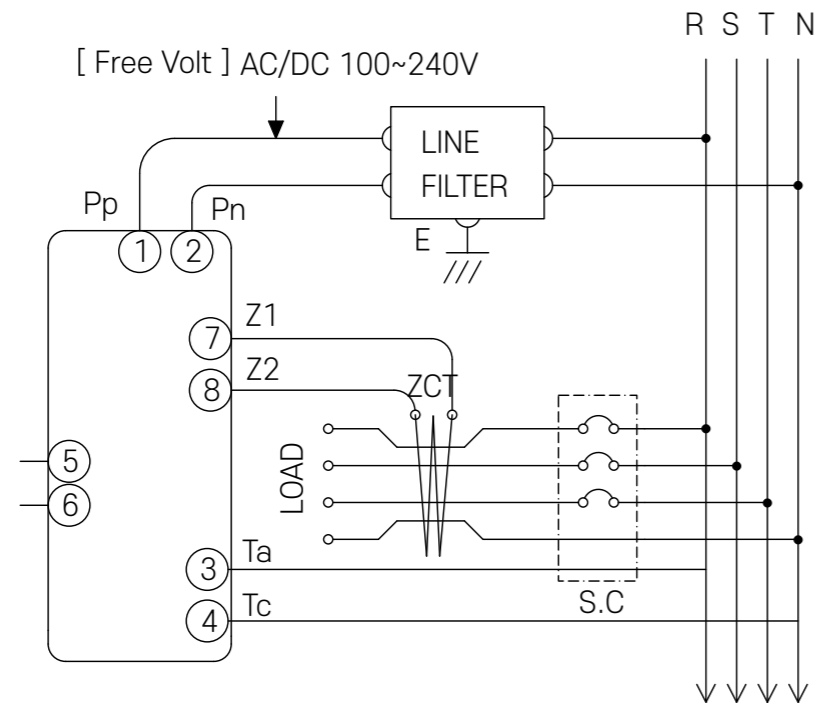
*The general rating specifications of the horizontal/vertical type are same.



DGF-D11F (vertical type) case of ground fault relay installation switchboard

Wiring Diagram

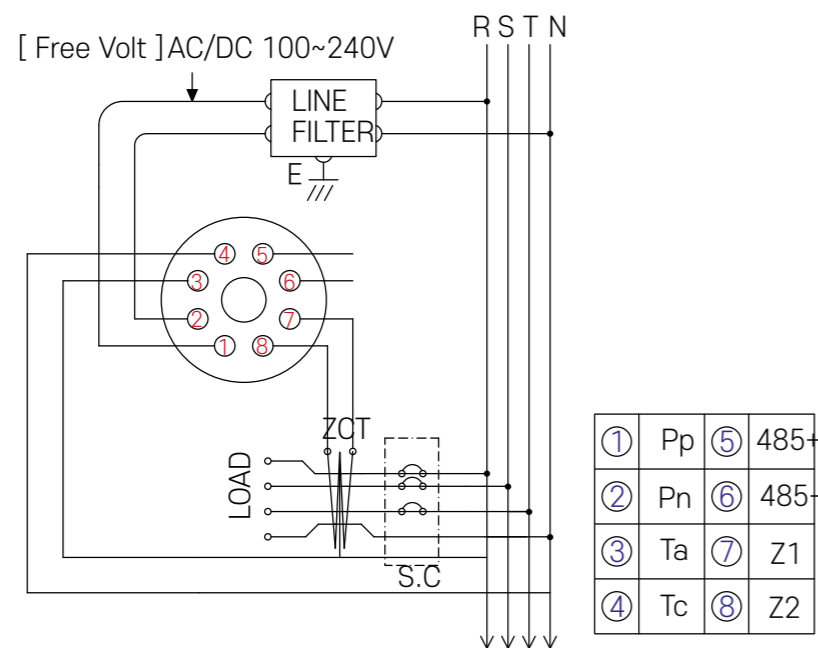
Terminal number wiring of vertical type and horizontal type is the same



Install the line filter when there are many harmonic components in the power line.

Flush mounted type

Terminal number wiring of vertical type and horizontal type is the same

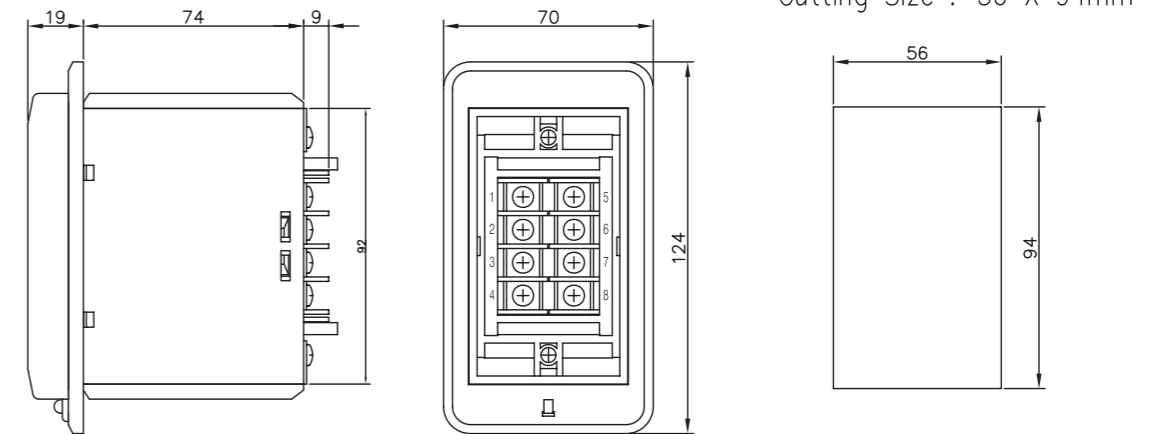


Install the line filter when there are many harmonic components in the power line.

Socket type

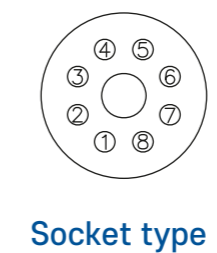
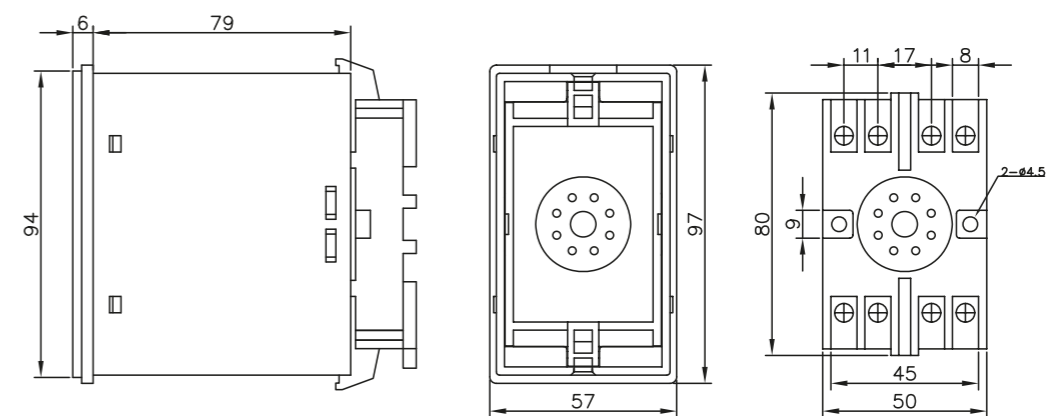
Dimensions

The external dimensions of vertical type and horizontal type are same



Flush mounted type

The external dimensions of vertical type and horizontal type are same



Socket type